



**Nemo D4**  
4 module housing



**Nemo 72**  
72x72 mm flush mounting housing



**Nemo 96**  
96x96 mm flush mounting housing



**Nemo MD**  
module for Nemo 96HD and Nemo 96 HD+





Model	Nemo D4-b	Nemo D4-L				Nemo D4-L+	
Codes	MF6GT...	MF6FT0...	MF6FTU...	MF6FT4...	MF6HTU...	MF6HT4...	
Ordering codes see page:	08	08	08	08	08	08	
Connection on line	single phase, 3-phase 3/4 wires unbalanced load l.v.	single phase, 3-phase 3/4 wires unbalanced load M.V.				single phase, 3-phase 3/4 wires unbalanced load l.v. and M.V.	
Isolated input					•	•	
Non-isolated input	•	•	•	•			
LCD Display	•	•	•	•	•	•	
Voltage, current, frequency	•	•	•	•	•	•	
Neutral current	•	•	•	•	•	•	
Average currents and max. values	•	•	•	•	•	•	
Active, reactive, apparent power	•	•	•	•	•	•	
Phase active and reactive power	•	•	•	•	•	•	
Average power and max. value	•	•	•	•	•	•	
Power factor	•	•	•	•	•	•	
Active energy cl.1		•	•	•	•	•	
Partial active energy		•	•	•	•	•	
Reactive energy cl.2		•	•	•	•	•	
Hourmeter	•	•	•	•	•	•	
Phase sequence		•	•	•	•	•	
Pulse energy			•		•	•	
RS485 communication				•		•	
Profibus				IF		IF	
Input current	1 - 5A from CT	5A direct or from CT				1 - 5A from CT	
Input voltage (phase-phase)	80...600V direct	50...450V direct or from VT				50...450V direct or from VT	
Programmable CT ratio	see table A	1...9999				1...9999	
Programmable VT ratio	-	1...10				1...400	
A.C. auxiliary supply	115 - 230 - 240 - 400Va.c.	48 - 115 - 230 - 240Va.c.				48 - 115 - 230 - 240Va.c.	
D.C. auxiliary supply		20...150Vd.c.				20...150Vd.c.	
Dimensions	4 module DIN	4 module DIN				4 module DIN	
Technical note	NT588	NT604				NT695	
Price							
Extra price d.c. auxiliary supply and 48Va.c.		•	•	•	•	•	
Extra price 1A input current	•	•	•	•			

Table A		Primary currents selectable by front keyboard													
											5A				
10A			15A		20A	25A	30A			40A	50A	60A	70A	75A	80A
100A	120A	125A	150A	160A	200A	250A	300A			400A	500A	600A	700A	750A	800A
1000A	1200A	1250A	1500A	1600A	2000A	2500A	3000A	3200A	4000A	5000A	6000A	7000A	7500A	8000A	



Model	Nemo 72-b		Nemo 72-L	
	MF7GM...	MF7GT...	MF7FTU...	MF7FT4...
Ordering codes see page:	08	08	09	08 - 09
Connection on line	single phase/3-phase 4 wires unbalanced load I.v.	3-phase 3/4 wires unbalanced load I.v.	single phase, 3-phase 3/4 wires unbalanced load I.v.	
Non-isolated input	•	•	•	•
LCD Display	•	•	•	•
Voltage, current, frequency	•	•	•	•
Neutral current	•	•	•	•
Average currents and max. values	•	•	•	•
Active, reactive, apparent power	•	•	•	•
Phase active and reactive power	•	•	•	•
Average power and max. value	•	•	•	•
Power factor	•	•	•	•
Active energy cl.1			• (option)	• (option)
Active energy cl.2			•	•
Reactive energy cl.2			• (option)	• (option)
Reactive energy cl.3			•	•
Current total harmonic distortion			•	•
Hourmeter	•	•	•	•
Phase sequence			•	•
2 allarm relays	• (option)	• (option)		
Pulse active energy			•	
RS485 communication				•
Profibus				IF
Input current	1 - 5A from CT		1 - 5A from CT	
Input voltage (phase-phase)	340...450V direct		80...500V direct or from VT	
Programmable CT ratio	see table A page 02		1...9999	
Programmable VT ratio	-		1...10	
A.C. auxiliary supply	selfsupplied		48 - 115 - 230 - 240Va.c.	
D.C. auxiliary supply			20...150Vd.c.	
Dimensions	72x72x81mm		72x72x81mm	
Technical note	NT651		NT652	
Price				
Extra price d.c. auxiliary supply and 48Va.c.			•	•
Extra price 1A input current	•	•	•	•
Extra price allarms	•	•		
Extra price active energy cl.1 - reactive energy cl.2			•	•

Legend: IF external interface (see section 3)



Model	Nemo 96-b	
Codes	MF9GM...	MF9GT...
Ordering codes see page:	09	09
Connection on line	single phase/3-phase 4 wires unbalanced load l.v.	3-phase 3/4 wires unbalanced load l.v.
Non-isolated input	•	•
LCD Display	•	•
Voltage, current, frequency	•	•
Neutral current	•	•
Average currents and max. values	•	•
Active, reactive, apparent power	•	•
Phase active and reactive power	•	•
Average power and max. value	•	•
Power factor	•	•
2 alarm relays	• (option)	• (option)
Input current	1 - 5A from CT	
Programmable CT ratio	see table A	
Input voltage (phase-phase)	340...450V direct	
Auxiliary supply	selfsupplied	
Dimensions	96x96x92mm	
Technical note	NT696	
Price		
Extra price 1A input current	•	•
Extra price allarms	•	•

Table A		Primary currents selectable by front keyboard												
										5A				
10A			15A		20A	25A	30A		40A	50A	60A	70A	75A	80A
100A	120A	125A	150A	160A	200A	250A	300A		400A	500A	600A	700A	750A	800A
1000A	1200A	1250A	1500A	1600A	2000A	2500A	3000A	3200A	4000A	5000A	6000A	7000A	7500A	8000A



Model	Nemo 96 HD		Nemo 96 HD+	
	MF96001	MF96002	MF96021	MF96022
Ordering codes see page:	09	09	09	09
Connection on line	single phase, 3-phase 3/4 wires unbalanced load l.v.		single phase, 3-phase 3/4 wires unbalanced load l.v. and M.V.	
Non-isolated input	•	•		
Isolated input			•	•
LCD Display	•	•	•	•
Phase and linked voltage min. and max. instantaneous value	•	•	•	•
Harmonic distortion phase voltage	•	•	•	•
Phase sequence	•	•	•	•
Phase and neutral current <sup>1</sup>	•	•	•	•
Neutral current measure <sup>2</sup>	MD	MD	MD	MD
Average current and max. value	•	•	•	•
Harmonic distortion phase current	•	•	•	•
Phase and three-phase power active, reactive, apparent	•	•	•	•
Average power and max. value active, reactive, apparent	•	•	•	•
Phase and three-phase power factor	•	•	•	•
Frequency, hourmeter	•	•	•	•
Active energy cl.0,5s positive and negative	•	•	•	•
Reactive energy cl.2 positive and negative	•	•	•	•
Positive energy partial active and reactive	•	•	•	•
RS485 communication	MD	MD	MD	MD
RS232 communication	MD	MD	MD	MD
Profibus communication	MD	MD	MD	MD
LonWorks communication	MD	MD	MD	MD
2 analogue outputs	MD	MD	MD	MD
2 energy pulse outputs	MD	MD	MD	MD
2 alarm outputs	MD	MD	MD	MD
2 SPST inputs - 2 SPST outputs	MD	MD	MD	MD
2 inputs 12-24Vd.c. - 2 SPST outputs	MD	MD	MD	MD
Energy value storage	MD	MD	MD	MD
Input current	1 + 5A from CT		1 + 5A direct or from CT	
Input voltage (phase-phase)	80...500V		80...690V	
Programmable CT ratio	1...9999		1...9999	
Programmable VT ratio	1...10		1...3000	
Auxiliary supply	80...265Va.c. -110...300Vd.c.	11...60Vd.c.	80...265Va.c. - 110...300Vd.c.	11...60Vd.c.
Dimensions	96x96x62mm (81mm with optional modules)		96x96x62mm (81mm with optional modules)	
Technical note	NT680		NT681	
Price				

Legend: MD interface module (see Nemo MD page 06-07)

<sup>1</sup>Calculated neutral current

<sup>2</sup>Measured neutral current



Model	Nemo MD			
Codes	IF96001	IF96002	IF96007	IF96009
Ordering codes see page:	10	10	10	10
Interface type	RS485 communication	RS232 communication	Profibus communication	LonWorks communication
Standard	JBUS/MODBUS	RS232-C	EN50170	Transceiver FTT10
Maximun baud rate	38,4kb/s	38,4kb/s	3Mb/s	-
Technical note	NT675	NT676	NT682	NT684
Price				



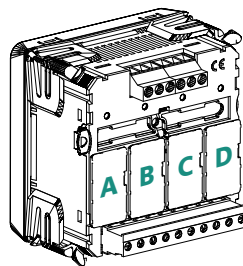
Model	Nemo MD			
Codes	IF96003	IF96004	IF96005	IF96006
Ordering codes see page:	10	10	10	10
Interface type	pulse outputs	analogue output	alarms	neutral current measuring
N° outputs	2	2	2	-
Outputs	2 SPST contacts	0...20mA - 4...20mA	2 SPST contacts	-
Technical note	NT677	NT678	NT679	NT683
Price				



# Modules for multifunction



Model	Nemo MD		
Codes	IF96010	IF96011	IF96012
Ordering codes see page:	10	10	10
Interface type	I/O	I/O	energy values storage
Memory	-	-	> 2 Megabyte
Input	SPST contact	12 - 24Vd.c. voltage	-
N° inputs	2	2	-
Output	SPST relays	SPST relays	RS485
N° outputs	2	2	1
Technical note	NT702	NT703	NT704
Price			



Code	Description	N. Max.	Position				Firmware <sup>1</sup>
			A	B	C	D	
IF96001	RS485 communication	1	•				All
IF96002	RS232 communication	1	•				All
IF96003	2 energy pulse output	2	•	•	•	•	All
IF96004	2 analogue outputs 0/4...20mA	2			•	•	1.08
IF96005	2 alarms	2	•	•	•	•	All
IF96006	Neutral current	1			•		1.08
IF96007	PROFIBUS communication	1	•				1.08
IF96009	LonWorks communication	1	•				2.00
IF96010	I / O 2 inputs SPST - 2 outputs SPST	2		•	•	•	2.06
IF96011	I / O 2 inputs 12-24Vd.c. - 2 outputs SPST	2		•	•	•	2.06
IF96012	RS485 - Energy value storage	1	•				2.06

<sup>1</sup>On the table it is shown the Firmware version of the meter which supports the function of the extra module. By using an IF96001 (RS485) or IF96002 (RS232) communication module it is possible to update the Firmware version (starting from 2.00 version) directly on field, with the help of a PC and the download software.

**Nemo D4-b** Multifunction for I.v. network, single-phase or 3-phase **4 module**

Ordering code	Auxiliary supply	input A	input V	Output	Stock
MF 6 GT 0 0 0 6 3	115Va.c.	1A	80...600V (Phase-Phase)	-	
MF 6 GT 0 0 0 6 6	230 + 240Va.c.	1A	80...600V (Phase-Phase)	-	
MF 6 GT 0 0 0 6 9	400Va.c.	1A	80...600V (Phase-Phase)	-	
MF 6 GT 0 0 0 7 3	115Va.c.	5A	80...600V (Phase-Phase)	-	
MF 6 GT 0 0 0 7 6	230 + 240Va.c.	5A	80...600V (Phase-Phase)	-	•
MF 6 GT 0 0 0 7 9	400Va.c.	5A	80...600V (Phase-Phase)	-	

**Nemo D4-L** Multifunction for I.v. network, single-phase or 3-phase **4 module**

Ordering code	Auxiliary supply	input A	input V	Output	Stock
MF 6 FT 0 0 0 1 3	115Va.c.	1A	50...450V (Phase-Phase)	-	
MF 6 FT 0 0 0 1 6	230 + 240Va.c.	1A	50...450V (Phase-Phase)	-	
MF 6 FT 0 0 0 1 H	20...150Vd.c. + 48Va.c.	1A	50...450V (Phase-Phase)	-	
MF 6 FT 0 0 0 2 3	115Va.c.	5A	50...450V (Phase-Phase)	-	
MF 6 FT 0 0 0 2 6	230 + 240Va.c.	5A	50...450V (Phase-Phase)	-	•
MF 6 FT 0 0 0 2 H	20...150Vd.c. + 48Va.c.	5A	50...450V (Phase-Phase)	-	
MF 6 FT 4 0 0 1 3	115Va.c.	1A	50...450V (Phase-Phase)	RS485	
MF 6 FT 4 0 0 1 6	230 + 240Va.c.	1A	50...450V (Phase-Phase)	RS485	
MF 6 FT 4 0 0 1 H	20...150Vd.c. + 48Va.c.	1A	50...450V (Phase-Phase)	RS485	
MF 6 FT 4 0 0 2 3	115Va.c.	5A	50...450V (Phase-Phase)	RS485	
MF 6 FT 4 0 0 2 6	230 + 240Va.c.	5A	50...450V (Phase-Phase)	RS485	•
MF 6 FT 4 0 0 2 H	20...150Vd.c. + 48Va.c.	5A	50...450V (Phase-Phase)	RS485	
MF 6 FT U 0 0 1 3	115Va.c.	1A	50...450V (Phase-Phase)	pulses	
MF 6 FT U 0 0 1 6	230 + 240Va.c.	1A	50...450V (Phase-Phase)	pulses	
MF 6 FT U 0 0 1 H	20...150Vd.c. + 48Va.c.	1A	50...450V (Phase-Phase)	pulses	
MF 6 FT U 0 0 2 3	115Va.c.	5A	50...450V (Phase-Phase)	pulses	
MF 6 FT U 0 0 2 6	230 + 240Va.c.	5A	50...450V (Phase-Phase)	pulses	•
MF 6 FT U 0 0 2 H	20...150Vd.c. + 48Va.c.	5A	50...450V (Phase-Phase)	pulses	

**Nemo D4-L+** Multifunction for I.v. / M.V. network, single-phase or 3-phase **4 module**

Ordering code	Auxiliary supply	input A	input V	Output	Stock
MF 6 HT U 0 0 0 3	115Va.c.	1 + 5A	50...450V (Phase-Phase)	pulses	
MF 6 HT U 0 0 0 6	230 + 240Va.c.	1 + 5A	50...450V (Phase-Phase)	pulses	
MF 6 HT U 0 0 0 H	20...150Vd.c. + 48Va.c.	1 + 5A	50...450V (Phase-Phase)	pulses	
MF 6 HT 4 0 0 0 3	115Va.c.	1 + 5A	50...450V (Phase-Phase)	pulses + RS485	
MF 6 HT 4 0 0 0 6	230 + 240Va.c.	1 + 5A	50...450V (Phase-Phase)	pulses + RS485	•
MF 6 HT 4 0 0 0 H	20...150Vd.c. + 48Va.c.	1 + 5A	50...450V (Phase-Phase)	pulses + RS485	•

**Nemo 72-b** Multifunction for I.v. network, single-phase or 3-phase **72x72mm**

Ordering code	Auxiliary supply	input A	input V	Output	Stock
MF 7 GM 0 0 0 8 A	selfsupplied	1A	340...450V (Phase-Phase)	-	
MF 7 GM 0 0 0 9 A	selfsupplied	5A	340...450V (Phase-Phase)	-	•
MF 7 GM 2 0 0 8 A	selfsupplied	1A	340...450V (Phase-Phase)	2 alarms relays	
MF 7 GM 2 0 0 9 A	selfsupplied	5A	340...450V (Phase-Phase)	2 alarms relays	

**Nemo 72-b** Multifunction for I.v. network, 3-phase **72x72mm**

Ordering code	Auxiliary supply	input A	input V	Output	Stock
MF 7 GT 0 0 0 8 A	selfsupplied	1A	340...450V (Phase-Phase)	-	
MF 7 GT 0 0 0 9 A	selfsupplied	5A	340...450V (Phase-Phase)	-	•
MF 7 GT 2 0 0 8 A	selfsupplied	1A	340...450V (Phase-Phase)	2 alarms relays	
MF 7 GT 2 0 0 9 A	selfsupplied	5A	340...450V (Phase-Phase)	2 alarms relays	

**Nemo 72-L** Multifunction for I.v. network, single-phase or 3-phase **72x72mm**

Ordering code	Auxiliary supply	input A	input V	Output	Stock
MF 7 FT 4 0 0 3 3	115Va.c.	1A	80...500V (Phase-Phase)	RS485	
MF 7 FT 4 0 0 3 6	230 + 240Va.c.	1A	80...500V (Phase-Phase)	RS485	
MF 7 FT 4 0 0 3 H	20...150Vd.c. 48Va.c.	1A	80...500V (Phase-Phase))	RS485	
MF 7 FT 4 0 0 4 3	115Va.c.	5A	80...500V (Phase-Phase)	RS485	
MF 7 FT 4 0 0 4 6	230 + 240Va.c.	5A	80...500V (Phase-Phase)	RS485	•

table follow ▶



Ordering code	Auxiliary supply	input A	input V	Output	Stock
MF7FT4004H	20...150Vd.c. + 48Va.c.	5A	80...500V (Phase-Phase)	RS485	
MF7FTU0033	115Va.c.	1A	80...500V (Phase-Phase)	pulses	
MF7FTU0036	230 + 240Va.c.	1A	80...500V (Phase-Phase)	pulses	
MF7FTU003H	20...150Vd.c. + 48Va.c.	1A	80...500V (Phase-Phase)	pulses	
MF7FTU0043	115Va.c.	5A	80...500V (Phase-Phase)	pulses	
MF7FTU0046	230 + 240Va.c.	5A	80...500V (Phase-Phase)	pulses	•
MF7FTU004H	20...150Vd.c. + 48Va.c.	5A	80...500V (Phase-Phase)	pulses	

#### Other exections

Ordering code	Accuracy class active/reactive counting energy
MF7FT... 1	active energy cl.1 (EN 62053-21) - reactive energy cl.2 (EN 62053-23)

### Nemo 96-b Multifunction for l.v. network, single-phase or 3-phase 96x96mm

Ordering code	Auxiliary supply	input A	input V	Output	Stock
MF9GM0008A	selfsupplied	1A	340...450V (Phase-Phase)	-	
MF9GM0009A	selfsupplied	5A	340...450V (Phase-Phase)	-	
MF9GM2008A	selfsupplied	1A	340...450V (Phase-Phase)	2 alarms relays	
MF9GM3009A	selfsupplied	5A	340...450V (Phase-Phase)	2 alarms relays	

### Nemo 96-b Multifunction for l.v. network, 3-phase 96x96mm

Ordering code	Auxiliary supply	input A	input V	Output	Stock
MF9GT0008A	selfsupplied	1A	340...450V (Phase-Phase)	-	
MF9GT0009A	selfsupplied	5A	340...450V (Phase-Phase)	-	
MF9GT2008A	selfsupplied	1A	340...450V (Phase-Phase)	2 alarms relays	
MF9GT2009A	selfsupplied	5A	340...450V (Phase-Phase)	2 alarms relays	

### Nemo 96HD Multifunction for l.v. network, single-phase or 3-phase 96x96mm

Ordering code	Auxiliary supply	input A	input V	Output	Stock
MF96001	80...265Va.c. - 110...300Vd.c.	1 + 5A	80...500V (Phase-Phase)	*	•
MF96002	11...60Vd.c.	1 + 5A	80...500V (Phase-Phase)	*	•

### Nemo 96HD+ Multifunction for l.v. / M.V. network, single-phase or 3-phase 96x96mm

Ordering code	Auxiliary supply	input A	input V	Output	Stock
MF96021	80...265Va.c. - 110...300Vd.c.	1 + 5A	80...690V (Phase-Phase)	*	•
MF96022	11...60Vd.c.	1 + 5A	80...690V (Phase-Phase)	*	•

\* With PLUG-IN modules Nemo MD see page 10

**Nemo MD** RS485 communication module for Nemo 96HD and Nemo 96HD+

Ordering code	Communication	Stock
IF96001	RS485 JBUS/MODBUS	•

**Nemo MD** RS232 communication module for Nemo 96HD and Nemo 96HD+

Ordering code	Communication	Output	Stock
IF96002	RS232 JBUS/MODBUS	2 relè SPST	•

**Nemo MD** n°2 pulse output module for Nemo 96HD and Nemo 96HD+

Ordering code	Output	Stock
IF96003	Active and/or reactive energy	•

**Nemo MD** n°2 analogue output module for Nemo 96HD and Nemo 96HD+

Ordering code	Output	Stock
IF96004	0...20mA - 4...20mA	•

**Nemo MD** n°2 alarm output module for Nemo 96HD and Nemo 96HD+

Ordering code	Output	Stock
IF96005	2 SPST relays	•

**Nemo MD** Neutral current measuring module for Nemo 96HD and Nemo 96HD+

Ordering code	Input	Stock
IF96006	1A e 5A	•

**Nemo MD** Profibus communication module for Nemo 96HD and Nemo 96HD+

Ordering code	Communication	Stock
IF96007	Profibus EN50170	•

**Nemo MD** LonWorks communication module for Nemo 96HD and Nemo 96HD+

Ordering code	Communication	Stock
IF96009	LonWorks	•

**Nemo MD** Module I/O n°- 2 SPST inputs - 2 SPST outputs for Nemo 96HD and Nemo 96HD+

Ordering code	Input	Output	Stock
IF96010	SPST contact	SPST relays	•

**Nemo MD** Module I/O n°- 2 inputs 12-24Vd.c. - 2 SPST outputs for Nemo 96HD and Nemo 96HD+

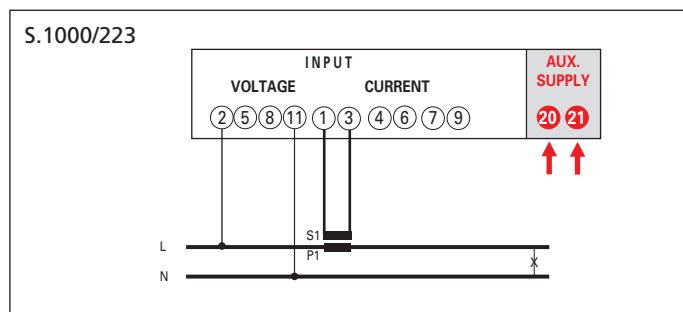
Ordering code	Input	Output	Stock
IF96011	12 + 24Vd.c.	SPST relays	•

**Nemo MD** Energy values storage module for Nemo 96HD and Nemo 96HD+

Ordering code	Memory	Output	Stock
IF96012	> 2 Megabyte	RS485	•

**Nemo D4-b**

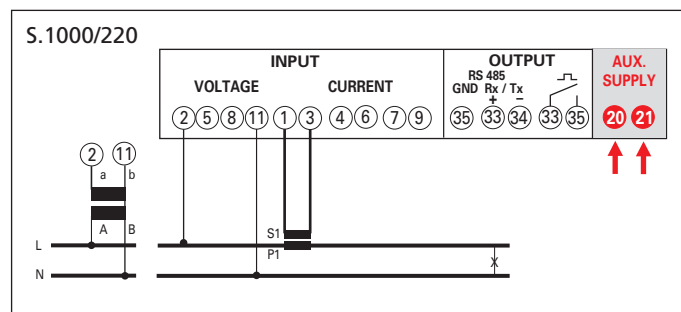
MF6GT...



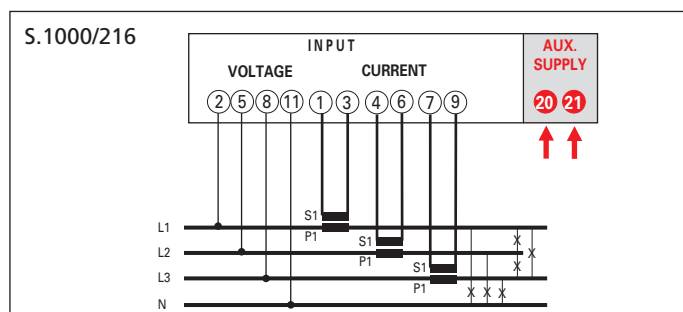
Single phase line

**Nemo D4-L**

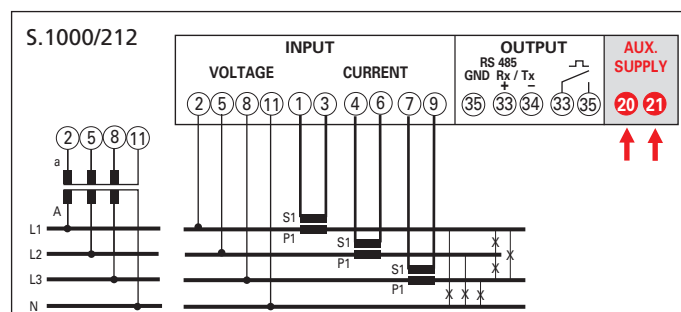
MF6FT...



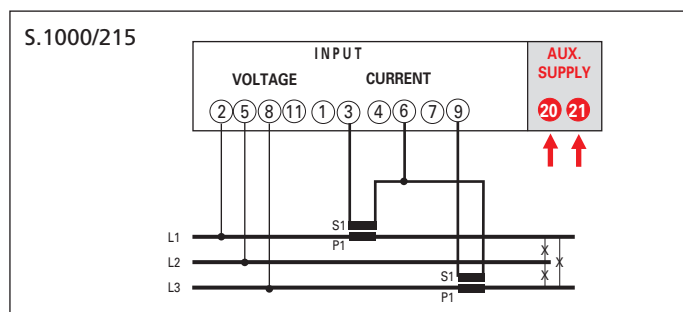
Single phase line



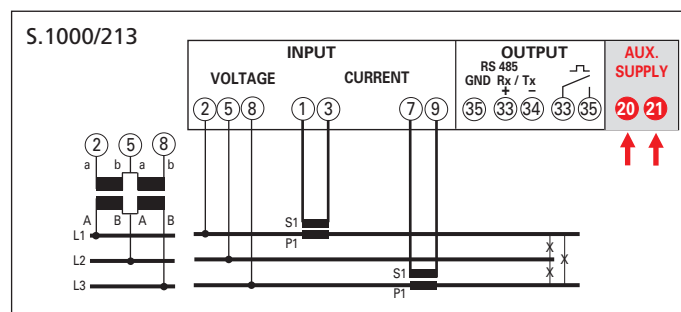
4 wire three-phase line, unbalanced load



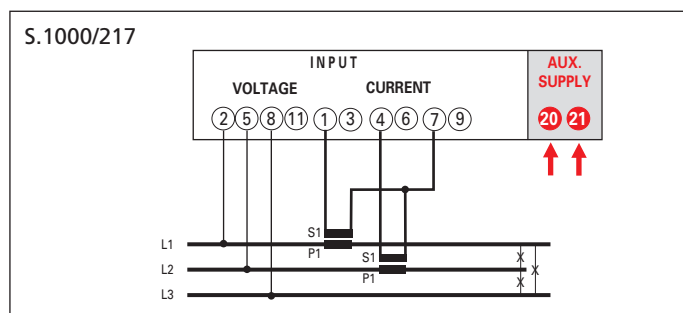
4 wire three-phase line, unbalanced load



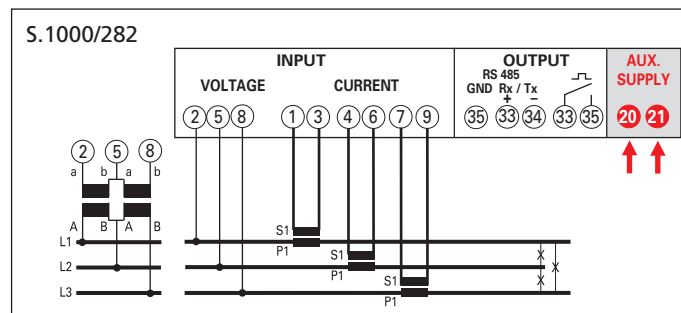
3 wire three-phase line, unbalanced load (ARON L1-L3)



3 wire three-phase line, unbalanced load (ARON L1-L3)



3 wire three-phase line, unbalanced load (ARON L1-L2)



3 wire three-phase line, unbalanced load

**NOTE**

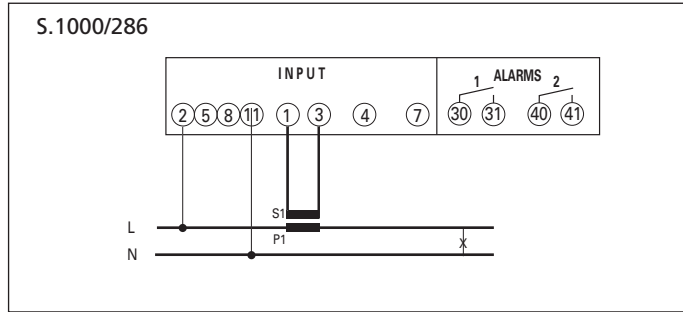
The wiring diagrams, show the device complete with pulse output and RS485 interface. In case of version without of these features, the corresponding terminals must not be considered.

**Attention!**

Do not ground the current transformer secondary windings

## Nemo 72-b/Nemo 96-b

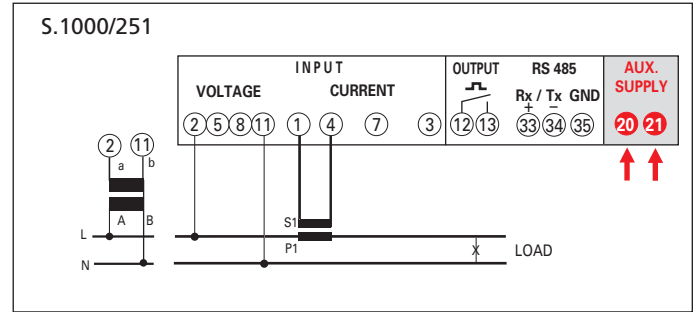
MF7G.../MF9G...



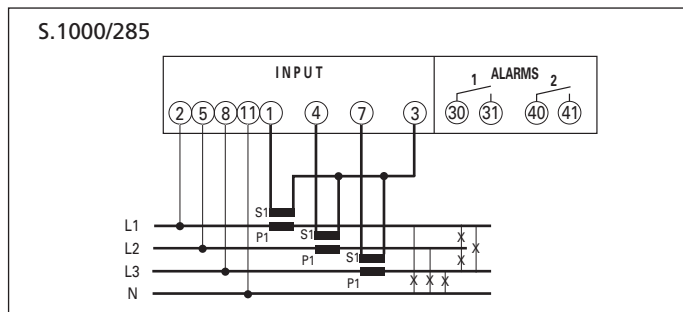
Single phase line

## Nemo 72-L

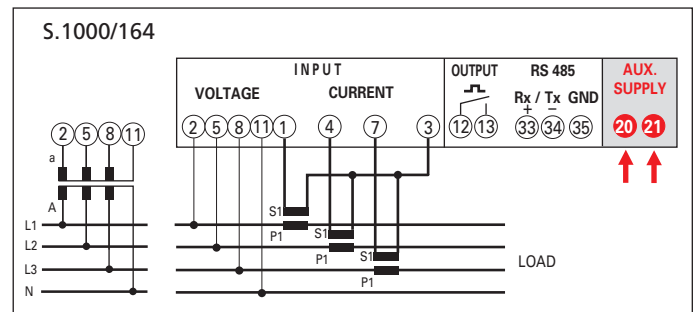
MF7FT...



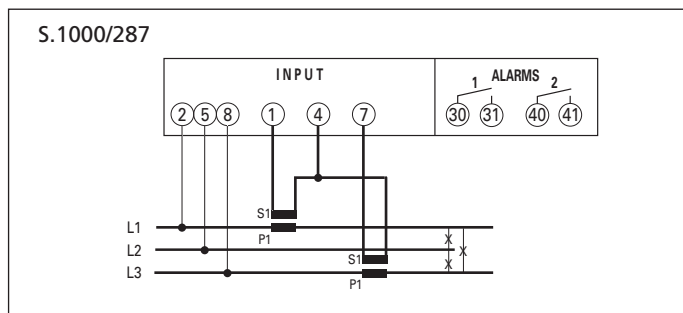
Single phase line



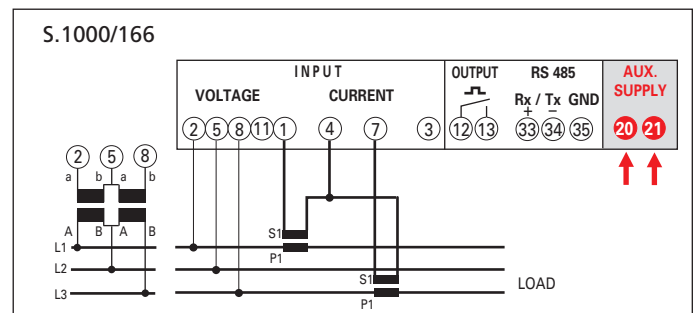
4 wire three-phase line, unbalanced load



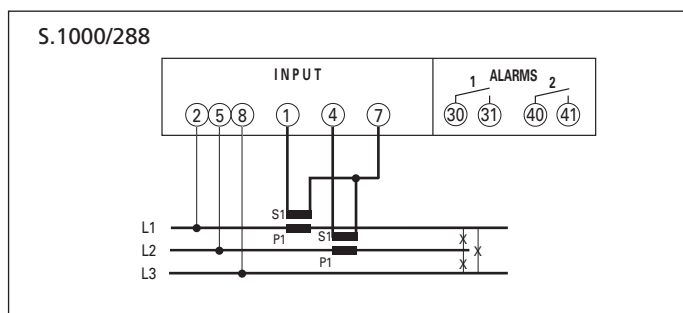
4 wire three-phase line, unbalanced load



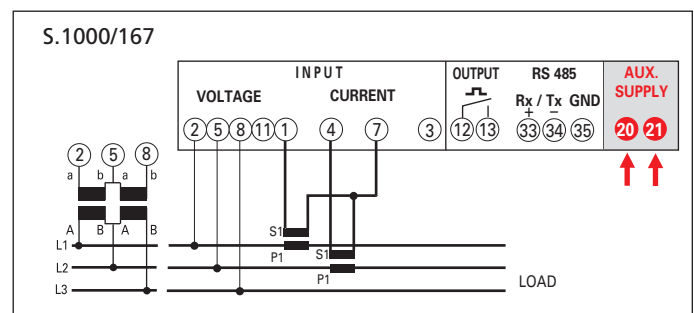
3 wire three-phase line, unbalanced load (ARON L1-L3)



3 wire three-phase line, unbalanced load (ARON L1-L3)



3 wire three-phase line, unbalanced load (ARON L1-L2)



3 wire three-phase line, unbalanced load (ARON L1-L2)

**NOTE**  
The wiring diagrams, show the device complete with alarms.  
In case of version without alarms, the corresponding terminals must not be considered.

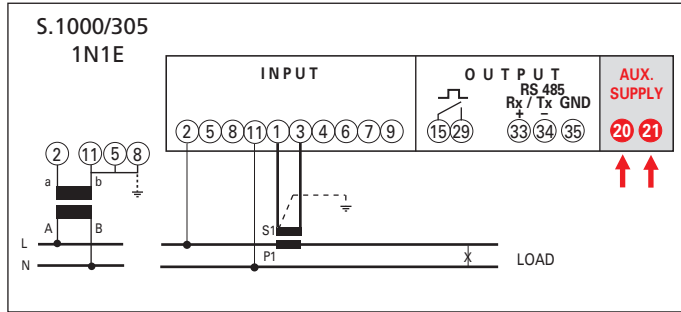
**NOTE**  
The wiring diagrams, show the device complete with pulse output and RS485 interface.  
In case of version without of these features, the corresponding terminals must not be considered.

### Attention!

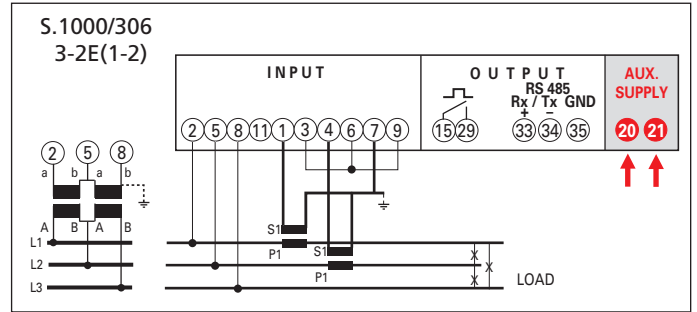
Do not ground the current transformer secondary windings

# Nemo D4-L+

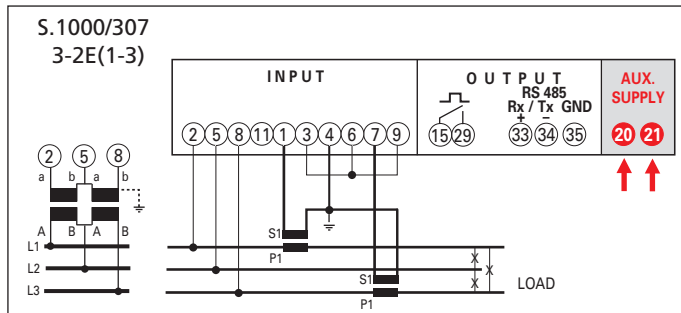
MF6HTU/MF6HT4



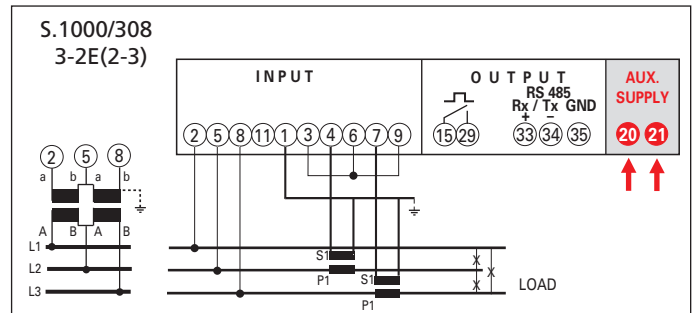
Single phase line



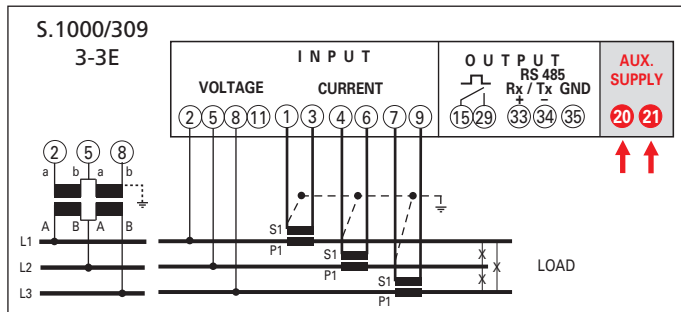
3 wire three-phase line, unbalanced load



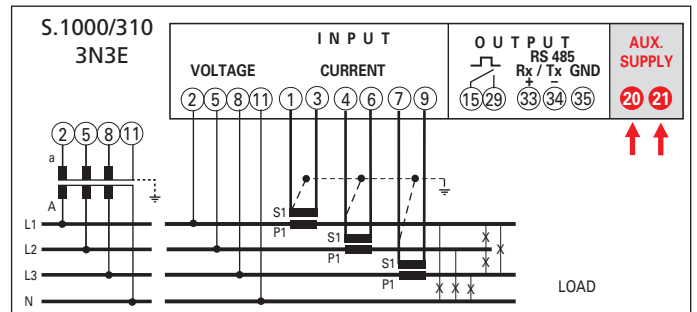
3 wire three-phase line, unbalanced load



3 wire three-phase line, unbalanced load



3 wire three-phase line, unbalanced load



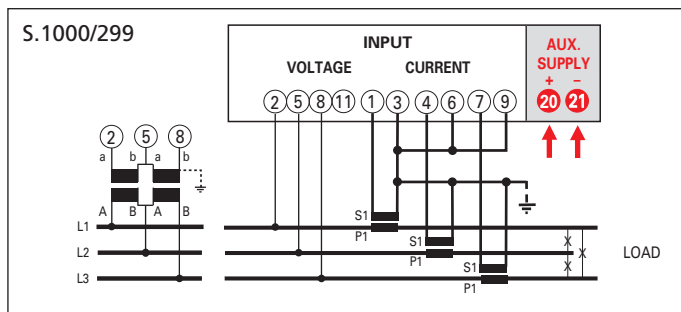
4 wire three-phase line, unbalanced load

**NOTE**

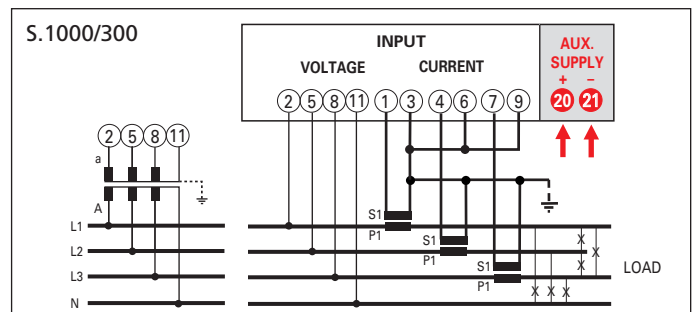
The wiring diagrams, show the device complete with pulse output and RS485 interface.  
In case of version without of these features, the corresponding terminals must not be considered.

# Nemo 96HD+

MF9602...



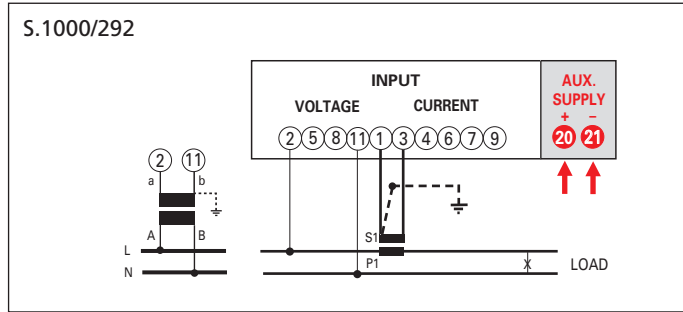
3 wire three-phase line, unbalanced load



4 wire three-phase line, unbalanced load

## Nemo 96HD+

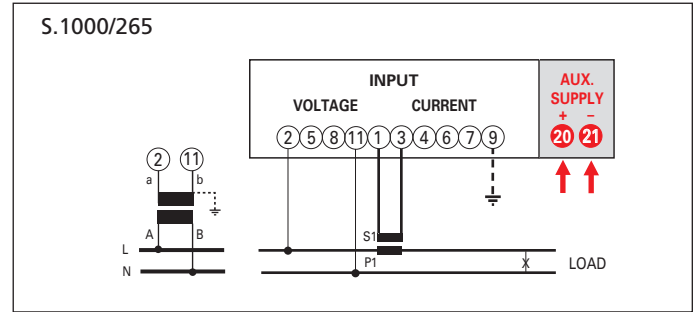
MF9602...



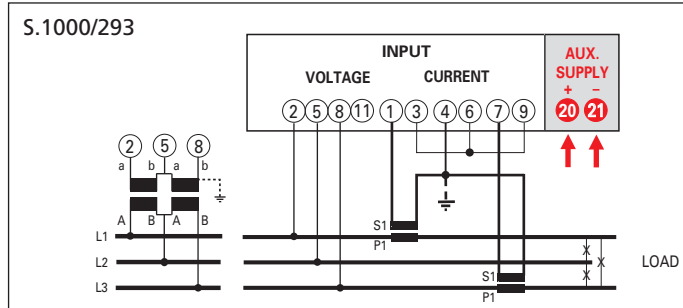
Single phase line

## Nemo 96HD

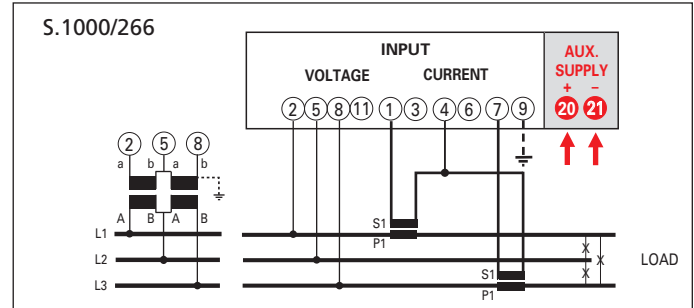
MF9600...



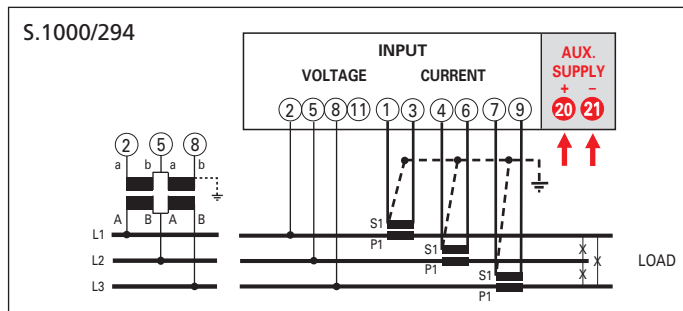
Single phase line



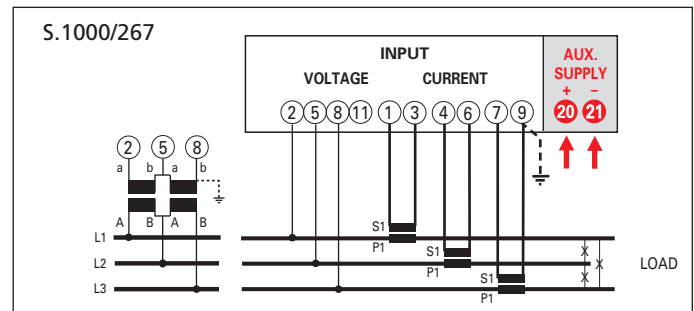
3 wire three-phase line, unbalanced load (Aron)



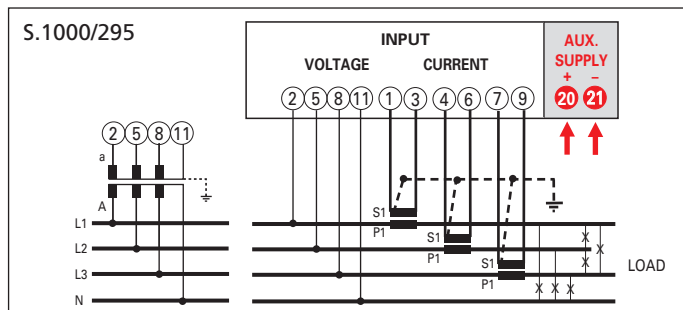
3 wire three-phase line, unbalanced load (Aron)



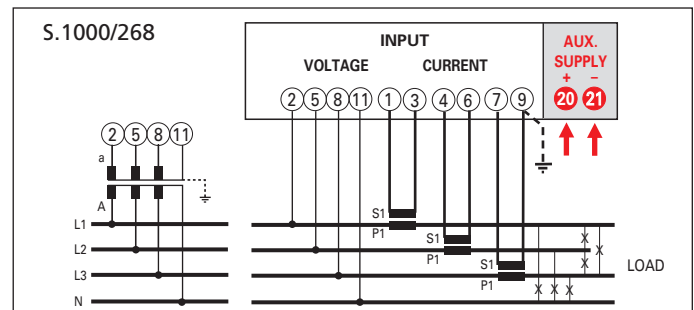
3 wire three-phase line, unbalanced load



3 wire three-phase line, unbalanced load



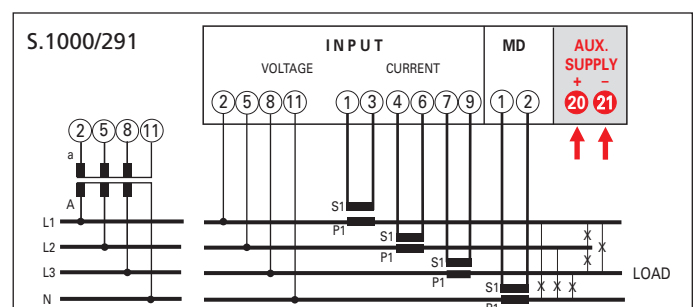
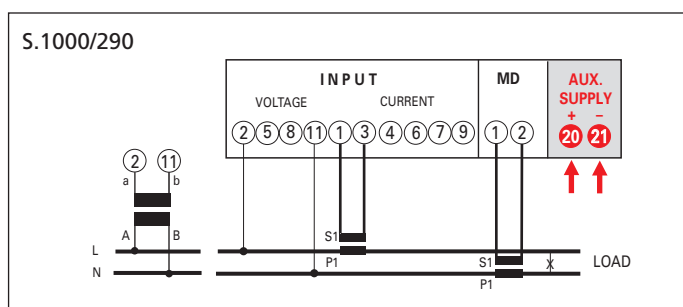
4 wire three-phase line, unbalanced load



4 wire three-phase line, unbalanced load

## Nemo MD

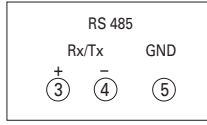
IF96006



# Nemo MD

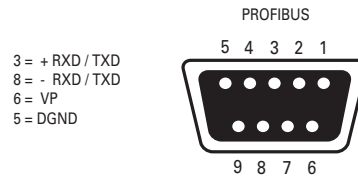
## IF96001 / IF96012

S.1000/273



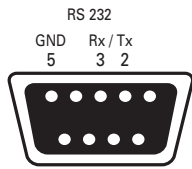
## IF96007

S.1000/289



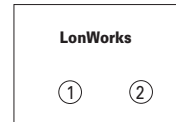
## IF96002

S.1000/276



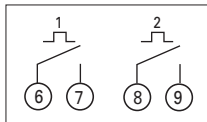
## IF96009

S.1000/296



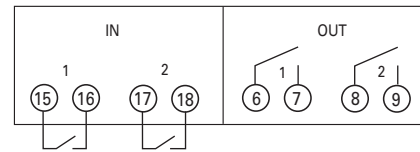
## IF96003

S.1000/274



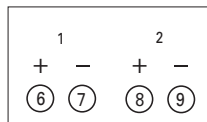
## IF96010

S.1000/312



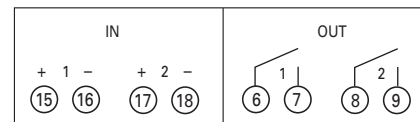
## IF96004

S.1000/281



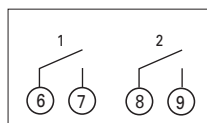
## IF96011

S.1000/313

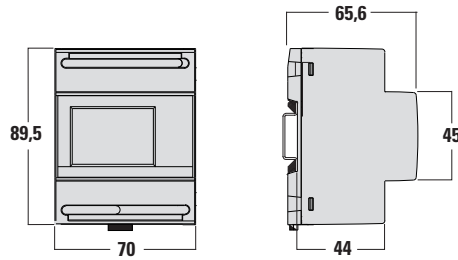


## IF96005

S.1000/275

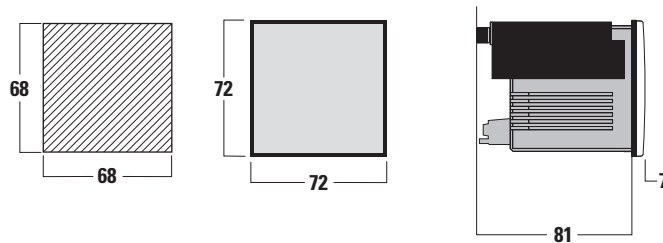


**Nemo D4-b / Nemo D4-L / Nemo D4-L+**



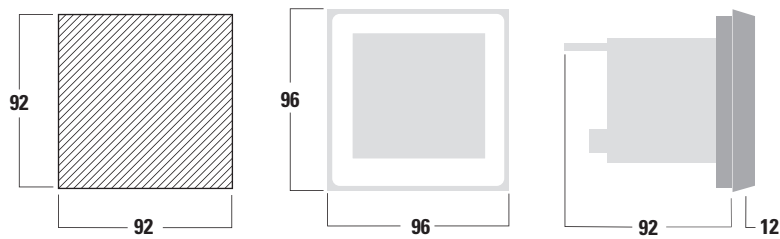
4 Module

**Nemo 72-b / Nemo 72-L**



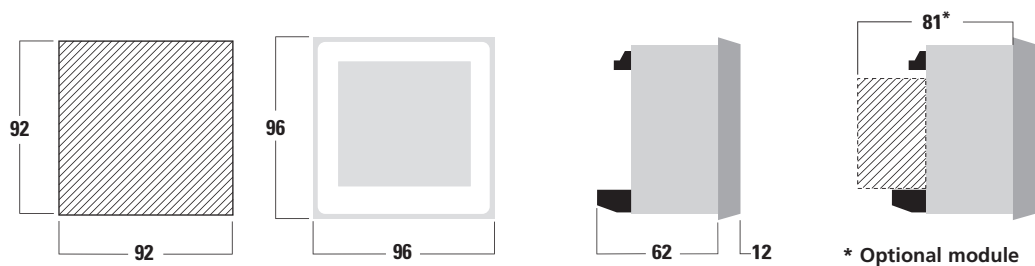
Flush mounting 72x72

**Nemo 96-b**



Flush mounting 96 x 96

**Nemo 96HD / Nemo 96HD+ / MD**



Flush mounting 96 x 96

\* Optional module